



Wildfire UltraBlade® LED Series

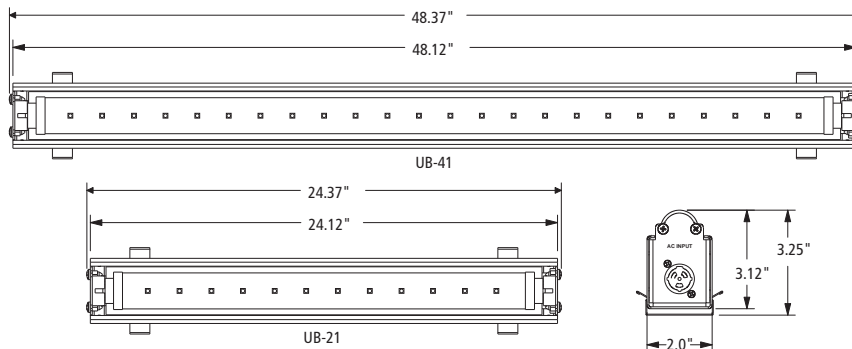
Single Lamp LED Black Light Fixtures

UltraBlade Lighting from Wildfire is a unique linkable black lighting system that combines Wildfire's powerful SableLED® 365nm black light LED lamp technology in a series of slim profile fixtures with variety of wiring and mounting options.



Features:

- Advanced Self Ballasted UV LED Lamps
- Linkable Slim Profile Design
- Convenient Universal Voltage Input
- Flicker and RF Interference Free
- Positive Locking Sockets
- Spring Mounting Brackets
- Heavy Gauge Aluminum Housing
- Designed and Built in the USA



Standard Equipment:

- 139-003 Two Spring Mounting Brackets
- 106-052 PowerCON Output Cable Connector
- 142-00(3)(4) One 2' or 4' SableLED LED Lamp

Optional Accessories:

- 147-021 Truss Clamp
- 147-002 Safety Cable
- 147-003 T-Bar Ceiling Mount

Specifications:

Housing:	18 Ga. aluminum with stainless steel hardware
Finish:	Flat black powder coat
Mounting:	Keyhole slot or Spring mounting brackets
Sockets:	Two positive locking medium Bi Pin G13
Input Voltage:	120 - 240VAC
Input Current:	UB-21: .15A Max UB-41: .18A Max
Frequency:	50-60Hz.
Power Factor:	0.83
Power Consumption:	UB-21: 9W UB-41: 15W
Operating Temperature:	-4° to 113° F / -20° to 45° C
Humidity:	0-80% non condensing
Power Cord:	9' 16/3 SJT with PowerCON and NEMA 5-15-P (UB-41-1 & UB-21-1)
Power Input Connection:	Neutrik PowerCON (UB-41-1 & UB-21-1)
Power Output Connection:	Neutrik PowerCON, Max 4.0A (UB-41-1 & UB-21-1)
Lamps:	UB-21: One Wildfire SableLED® L9T8/BLB LED Lamp UB-41: One Wildfire SableLED® L15T8/BLB LED Lamp
Peak Wavelength:	365nm ± 10nm
Radiant Power:	UB-21: 400 mW/m ² at .5m UB-41: 600 mW/m ² at .5m
Beam Angle:	160°
Lamp Life:	20,000 Hours
Weight:	UB-21: 1.60lbs / .72kg UB-41: 2.90lbs / 1.31kg
IP Rating:	IP-20 Indoor Use
Warranty:	Three years parts & labor
Listing:	ETL 5004307

Ordering Example: (Select item from each box)

Model	Size	Lamps	Connection
UB		1	
	Size		Connection
	2 - 2'		1 - PowerCON
	4 - 4'		2 - Hard Wire

Features:



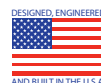
Positive Locking Sockets



PowerCON Connectors



Spring Mounting Brackets



Project	Approval / Date
Location	Fixture Type

