

## Wildfire

# Effects Master® VHO Series

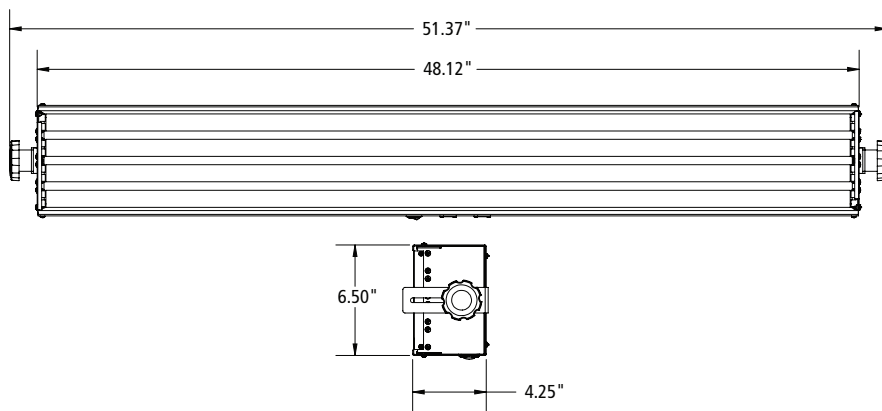
## Very High Output Fluorescent Black Light Fixtures

The Effects Master VHO from Wildfire is the most powerful fluorescent black light on the market, featuring proprietary high output electronic ballasting and polished Everbrite reflectors, this 4 lamp powerhouse produces up to an incredible 22,800 mW/m<sup>2</sup> of true 365nm black light.



### Features:

- VHO Electronic Ballasting
- Powerful Four Lamp Design
- Polished Everbrite Reflectors
- Positive Locking Sockets
- Adjustable Mounting Brackets
- Heavy Gauge Steel Housing
- Stainless Steel Hardware
- Designed and Built in the USA



### Standard Equipment:

- 139-003 Two Adjustable L Brackets
- 106-052 PowerCON Output Cable Connector
- 141-002 Four 4' SableLux Lamps

### Optional Accessories:

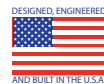
- 147-003 Floor Stand Kit
- 147-021 Truss Clamp
- 147-021 Safety Cable

### Ordering Example:

Model	Size	Lamps	Series
<b>EM</b>	<b>4</b>	<b>4</b>	<b>V</b>

### Specifications:

Housing:	16 Ga. rolled steel with stainless steel hardware
Finish:	Flat black powder coat
Mounting:	Two fully adjustable L brackets
Reflector:	Polished Everbrite aluminum 165°
Sockets:	Eight positive locking medium Bi Pin G13
Ballast:	Electronic VHO
Input Voltage:	120VAC
Input Current:	5.5A Max.
Frequency:	50-60Hz.
Power Factor:	0.70
Power Consumption:	300W
Circuit Protection:	One 7 Amp slow blow fuse
Operating Temperature:	60° F to 100°F
Power Cord:	9' 16/3 SJT with PowerCON and NEMA 5-15-P
Power Input Connection:	Neutrik PowerCON
Power Output Connection:	Neutrik PowerCON, Max 5.0A
Lamps:	Four Wildfire SableLux® F32T8/BLB lamps
Peak Spectral Output:	368nm ± 10nm
Lamp Life:	8,000 Hours
Weight:	17.60lbs / 7.98kg
Rating:	IP-20 Indoor Use
Warranty:	Three years parts & labor



### Features & Options:



PowerCON Connectors



Adjustable L Brackets



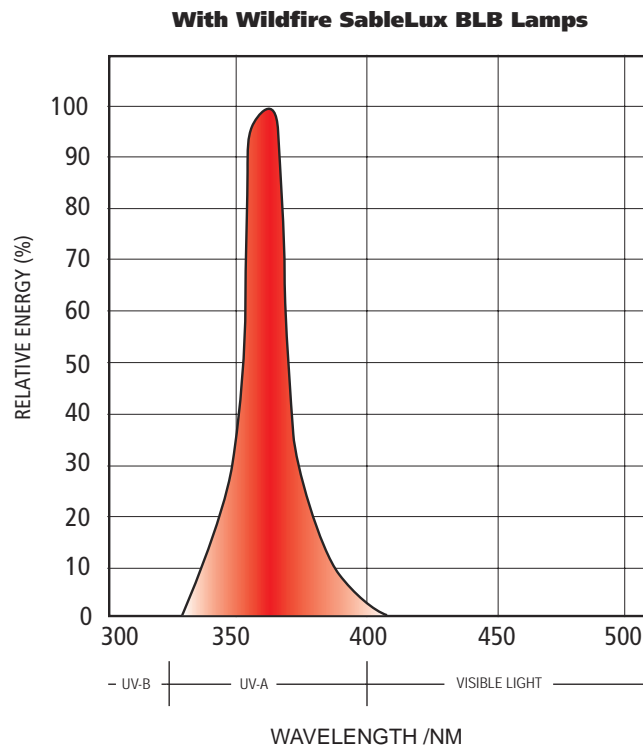
Optional Truss Clamps



Optional Floor Stands

Project	Approval / Date
Location	Fixture Type

## Spectral Output Graph:



## Photometrics Chart:

### Model EM-44V With SableLux Lamps

Distance in Feet / Meters, MF: 2.97

	5 / 1.52	10 / 3.05	20 / 6.10	30 / 9.14	40 / 12.19	50 / 15.24	60 / 18.29
Beam Diameter Feet	14.8	29.7	59.4	89.1	118.8	148.5	178.2
Beam Diameter Meters	4.5	9.0	18.1	27.1	36.2	45.2	54.3
Peak UV-A Irradiance mW/m <sup>2</sup>	1,980	495.0	123.7	55.0	30.9	19.8	13.7

All peak UV-A irradiance measurements taken at center beam using UVX Digital Radiometer and a calibrated 365nm sensor