

VIOSTORM[®]

BY WILDFIRE[®]

PRO SERIES



VSP-120 DATA SHEET

REVISION 1.0

WILDFIRE
VIOSTORM® Pro 120 LED Series
365nm UV LED Lighting Fixtures



INTRODUCTION

The VioStorm Pro Series VSP-120 from Wildfire delivers true 365nm UV output for maximum fluorescence with virtually no visible light—creating deeper, more immersive black light effects. Advanced bandpass filtration ensures clean UV performance, while the intuitive Trias® DMX/RDM control system gives you precise, flexible control. With interchangeable optics for adaptable coverage, the VSP-120 is built for professionals who need powerful, reliable UV lighting for demanding environments.

FEATURES

- Powerful 365nm Peak UV Output
- Convenient Universal Voltage Input
- Intuitive DMX/RDM Control & Monitoring
- Individual LED Protection
- Intelligent SinkPAD™ Thermal Management
- Flicker Free 16 Bit Dimming Resolution
- High Quality 365nm Bandpass Filtration
- Integrated 10kV, 10kA Surge Protection
- Versatile Interchangeable Optic Sets
- Standard 10" Accessory Frame
- Heavy Duty Aluminum Construction
- Corrosion Resistant Stainless Steel Fasteners
- ROHS Compliant
- Designed, Engineered and Built in the USA

STANDARD EQUIPEMENT:	
147-022	Truss Clamp
147-002	Safety Cable
106-056	Power CON Power-Out Connector

OPTIONS AND ACCESSORIES:	
146-002	10" 4 Panel Barn Doors
150-001-100	15° Spot Optic Set x2
150-002-100	27° Wide Spot Optic Set x2
150-003-100	42° Flood Optic Set x2
138-070	Multiverse 900Mhz. Wireless DMX
138-072	Multiverse 2.4Ghz. Wireless DMX

ORDERING EXAMPLE: (Select item from each box)		
MODEL	WATTAGE	OPTICS
<input type="checkbox"/> VSP	<input type="checkbox"/> 120	<input type="checkbox"/> S - 15° Spot
		<input type="checkbox"/> WS - 27° Wide Spot
		<input type="checkbox"/> F - 42° Flood



PROJECT	APPROVAL / DATE
LOCATION	FIXTURE TYPE

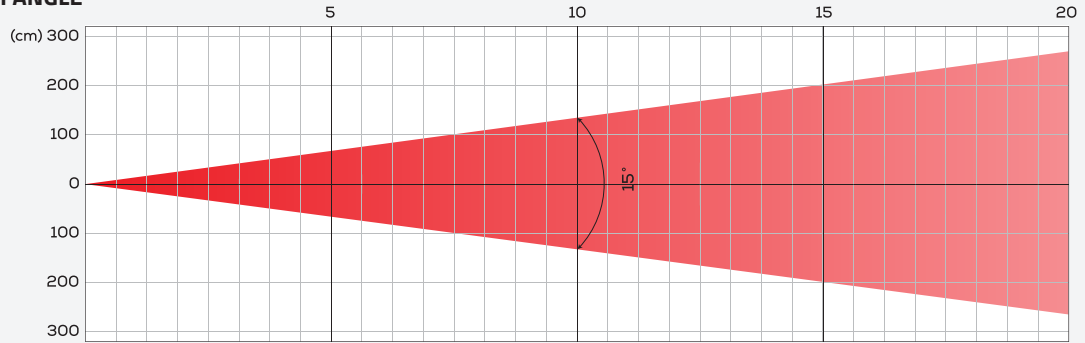
SPECIFICATIONS

HOUSING:	5052 H32 aluminum with stainless steel fasteners
FINISH:	Flat black powder coat
MOUNTING:	Fully adjustable yoke with three height position and integrated removable floor stand
UV LIGHT SOURCE:	Twelve 10W 365nm UV LED emitters
RADIANT POWER:	3,200 mW each
LED LIFE:	20,000Hr. at 25° C
OPTICS:	Molded Silicone 15°, 27° or 42°
LENS:	Schott UG2A Bandpass Filter Glass
OPERATING TEMPERATURE:	-10° to 115° F / -20° to 45° C
HUMIDITY:	0-95% non-condensing
POWER INPUT CONNECTION:	Neutrik PowerCON True 1
POWER OUTPUT CONNECTION:	Neutrik PowerCON True 1 (Max 8.0A VS-120)
POWER CORD:	9' 14/3 SJT cable with PowerCON True 1 to NEMA 5-15P
DMX CONNECTIONS:	Neutrik Gold, 5-pin XLR Male, 5-pin XLR Female
DMX CHANNELS:	Three (2 Dimming, 1 Effects)
CONTROL MODES:	Three (Wired DMX, Local, Optional Multiverse Wireless DMX)
OPERATION MODES:	Three (1 Channel, 2 Channel, 3 Channel)
USB CONNECTION:	Amphenol Rugged Mini-B USB Female
INPUT VOLTAGE:	100-240 VAC
INPUT CURRENT:	1.73 Amps Max
FREQUENCY:	50-60Hz.
POWER FACTOR:	0.97
POWER CONSUMPTION:	175 Watts
CIRCUIT PROTECTION:	7 Amp hydraulic magnetic breaker switch
SURGE PROTECTION:	Type 5 SPD 10kV / 10kA
ACCESSORY FRAME:	10" / 25.4cm
WEIGHT:	13.35 lbs. / 6.05 kg
PROTECTION RATING:	IP-20 Indoor Use Only
SAFETY LISTING:	ETL #5004307
WARRANTY:	Three year parts and labor

PHOTOMETRICS

SPOT

BEAM ANGLE

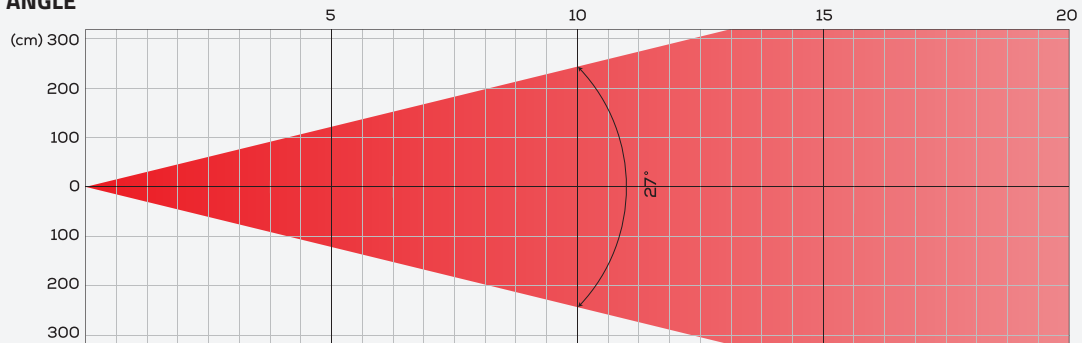


INTENSITY

Distance (m)	5		10		15		20	
unit	mW/m ²	Diameter (m)	mW/m ²	Diameter (m)	mW/m ²	Diameter (m)	mW/m ²	Diameter (m)
365nm UV	15885	1.40	3971	2.79	1765	4.19	993	5.58

WIDE SPOT

BEAM ANGLE

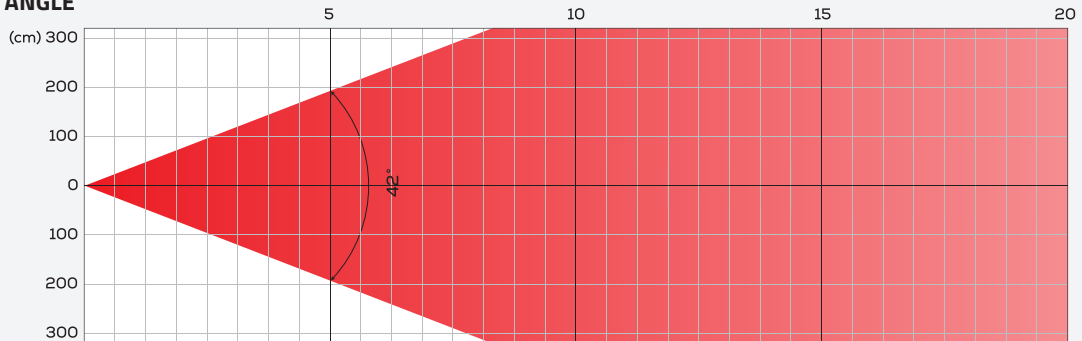


INTENSITY

Distance (m)	5		10		15		20	
unit	mW/m ²	Diameter (m)	mW/m ²	Diameter (m)	mW/m ²	Diameter (m)	mW/m ²	Diameter (m)
365nm UV	5402	2.44	1351	4.88	600	7.32	338	9.76

FLOOD

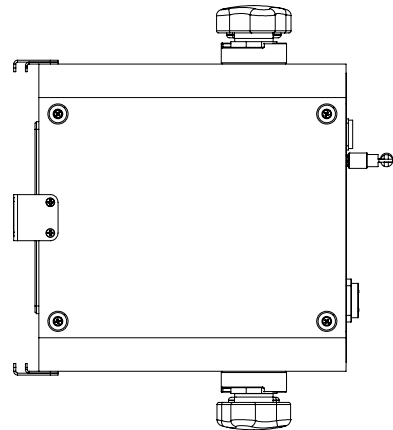
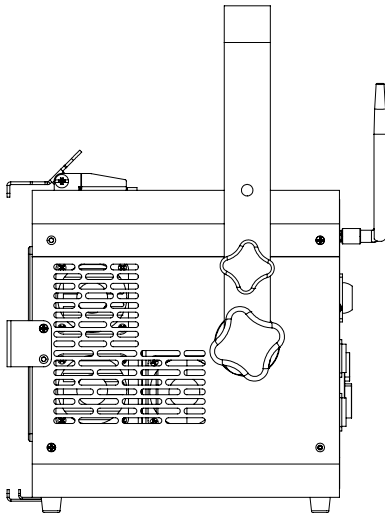
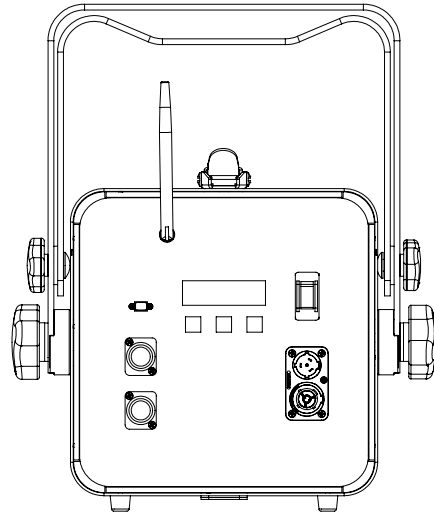
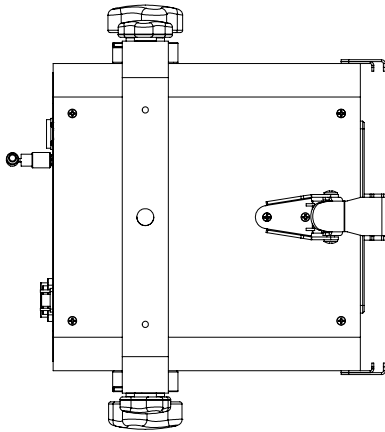
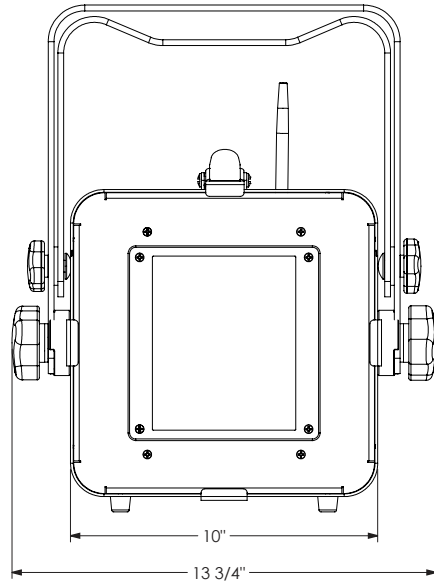
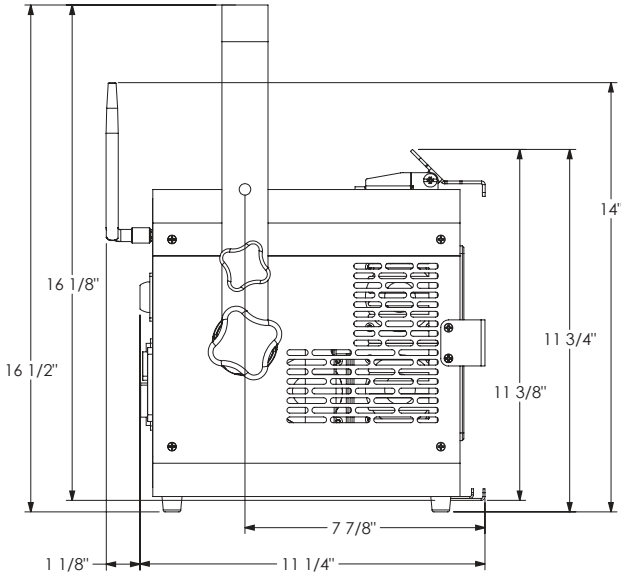
BEAM ANGLE



INTENSITY

Distance (m)	5		10		15		20	
unit	mW/m ²	Diameter (m)	mW/m ²	Diameter (m)	mW/m ²	Diameter (m)	mW/m ²	Diameter (m)
365nm UV	2246	3.83	561	7.67	250	11.50	140	15.34

DRAWINGS



PHOTOS





2908 OREGON CT., STE. G1
TORRANCE, CA 90503
UNITED STATES

(800) 937-8065

WILDFIRELIGHTING.COM