

# VIOSTORM<sup>®</sup>

BY WILDFIRE<sup>®</sup>

**PRO** SERIES



## VSP-120 DATA SHEET

REVISION 1.0

**WILDFIRE**  
**VIOSTORM® Pro 120 LED Series**  
**365nm UV LED Lighting Fixtures**



**INTRODUCTION**

The VioStorm Pro Series VSP-120 from Wildfire delivers true 365nm UV output for maximum fluorescence with virtually no visible light—creating deeper, more immersive black light effects. Advanced bandpass filtration ensures clean UV performance, while the intuitive Trias® DMX/RDM control system gives you precise, flexible control. With interchangeable optics for adaptable coverage, the VSP-120 is built for professionals who need powerful, reliable UV lighting for demanding environments.

**FEATURES**

- Powerful 365nm Peak UV Output
- Convenient Universal Voltage Input
- Intuitive DMX/RDM Control & Monitoring
- Individual LED Protection
- Intelligent SinkPAD™ Thermal Management
- Flicker Free 16 Bit Dimming Resolution
- High Quality 365nm Bandpass Filtration
- Integrated 10kV, 10kA Surge Protection
- Versatile Interchangeable Optic Sets
- Standard 10" Accessory Frame
- Heavy Duty Aluminum Construction
- Corrosion Resistant Stainless Steel Fasteners
- ROHS Compliant
- Designed, Engineered and Built in the USA

STANDARD EQUIPEMENT:	
147-022	Truss Clamp
147-002	Safety Cable
106-056	Power CON Power-Out Connector

OPTIONS AND ACCESSORIES:	
146-002	10" 4 Panel Barn Doors
150-001-100	15° Spot Optic Set x2
150-002-100	27° Wide Spot Optic Set x2
150-003-100	42° Flood Optic Set x2
138-070	Multiverse 900Mhz. Wireless DMX
138-072	Multiverse 2.4Ghz. Wireless DMX

ORDERING EXAMPLE: (Select item from each box)		
MODEL	WATTAGE	OPTICS
<input checked="" type="checkbox"/> <b>VSP</b>	<input checked="" type="checkbox"/> <b>120</b>	<input type="checkbox"/> <b>S</b> - 15° Spot
		<input type="checkbox"/> <b>WS</b> - 27° Wide Spot
		<input type="checkbox"/> <b>F</b> - 42° Flood



PROJECT	APPROVAL / DATE
LOCATION	FIXTURE TYPE

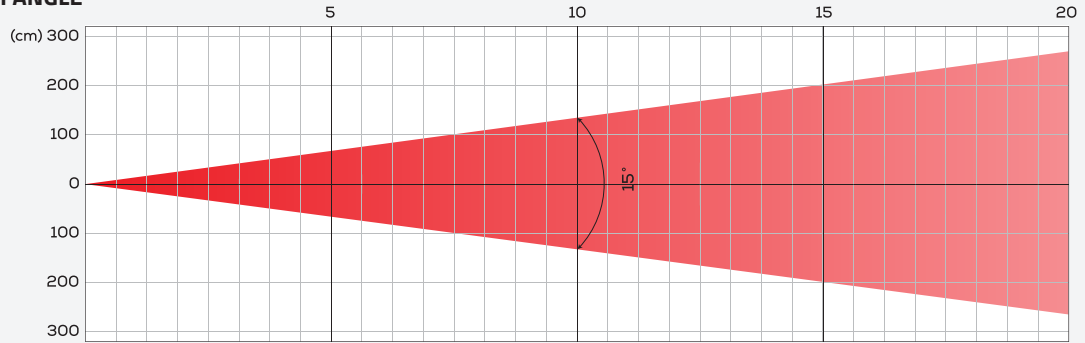
**SPECIFICATIONS**

<b>HOUSING:</b>	5052 H32 aluminum with stainless steel fasteners
<b>FINISH:</b>	Flat black powder coat
<b>MOUNTING:</b>	Fully adjustable yoke with three height position and integrated removable floor stand
<b>UV LIGHT SOURCE:</b>	Twelve 10W 365nm UV LED emitters
<b>RADIANT POWER:</b>	3,200 mW each
<b>LED LIFE:</b>	20,000Hr. at 25° C
<b>OPTICS:</b>	Molded Silicone 15°, 27° or 42°
<b>LENS:</b>	Schott UG2A Bandpass Filter Glass
<b>OPERATING TEMPERATURE:</b>	-10° to 115° F / -20° to 45° C
<b>HUMIDITY:</b>	0-95% non-condensing
<b>POWER INPUT CONNECTION:</b>	Neutrik PowerCON True 1
<b>POWER OUTPUT CONNECTION:</b>	Neutrik PowerCON True 1 (Max 15A)
<b>POWER CORD:</b>	9' 14/3 SJT cable with PowerCON True 1 to NEMA 5-15P
<b>DMX CONNECTIONS:</b>	Neutrik Gold, 5-pin XLR Male, 5-pin XLR Female
<b>DMX CHANNELS:</b>	Three (2 Dimming, 1 Effects)
<b>CONTROL MODES:</b>	Three (Wired DMX, Local, Optional Multiverse Wireless DMX)
<b>OPERATION MODES:</b>	Three (1 Channel, 2 Channel, 3 Channel)
<b>USB CONNECTION:</b>	Amphenol Rugged Mini-B USB Female
<b>INPUT VOLTAGE:</b>	100-240 VAC
<b>INPUT CURRENT:</b>	1.73 Amps Max
<b>FREQUENCY:</b>	50-60Hz.
<b>POWER FACTOR:</b>	0.97
<b>POWER CONSUMPTION:</b>	175 Watts
<b>CIRCUIT PROTECTION:</b>	7 Amp hydraulic magnetic breaker switch
<b>SURGE PROTECTION:</b>	Type 5 SPD 10kV / 10kA
<b>ACCESSORY FRAME:</b>	10" / 25.4cm
<b>WEIGHT:</b>	13.35 lbs. / 6.05 kg
<b>PROTECTION RATING:</b>	IP-20 Indoor Use Only
<b>SAFETY LISTING:</b>	ETL #5004307
<b>WARRANTY:</b>	Three year parts and labor

**PHOTOMETRICS**

**SPOT**

**BEAM ANGLE**

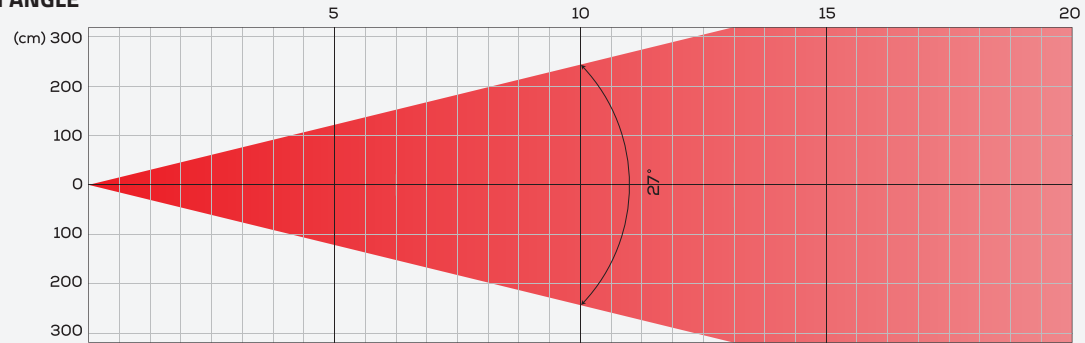


**INTENSITY**

Distance (m)	5		10		15		20	
unit	mW/m <sup>2</sup>	Diameter (m)	mW/m <sup>2</sup>	Diameter (m)	mW/m <sup>2</sup>	Diameter (m)	mW/m <sup>2</sup>	Diameter (m)
365nm UV	15885	1.40	3971	2.79	1765	4.19	993	5.58

**WIDE SPOT**

**BEAM ANGLE**

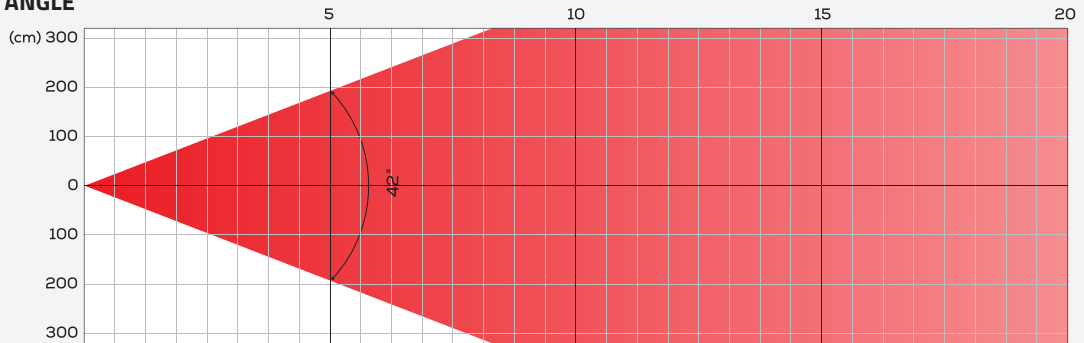


**INTENSITY**

Distance (m)	5		10		15		20	
unit	mW/m <sup>2</sup>	Diameter (m)	mW/m <sup>2</sup>	Diameter (m)	mW/m <sup>2</sup>	Diameter (m)	mW/m <sup>2</sup>	Diameter (m)
365nm UV	5402	2.44	1351	4.88	600	7.32	338	9.76

**FLOOD**

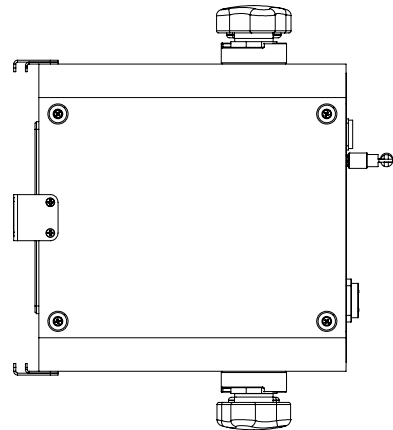
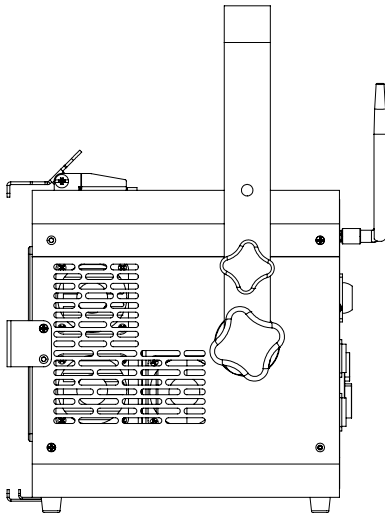
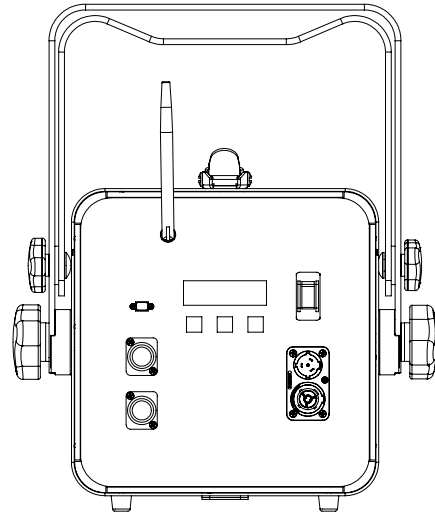
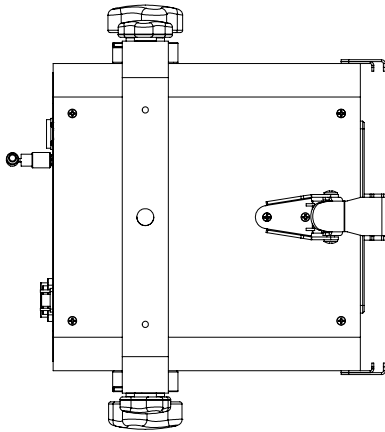
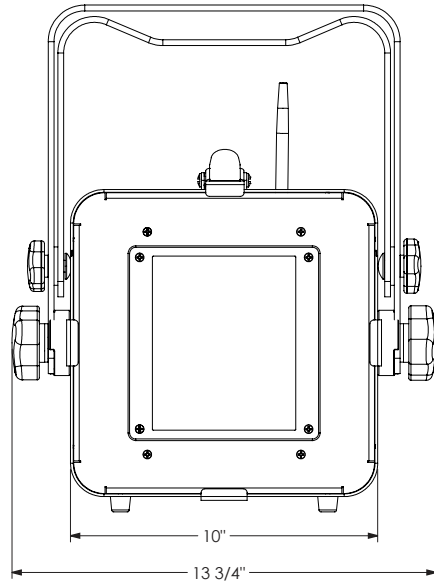
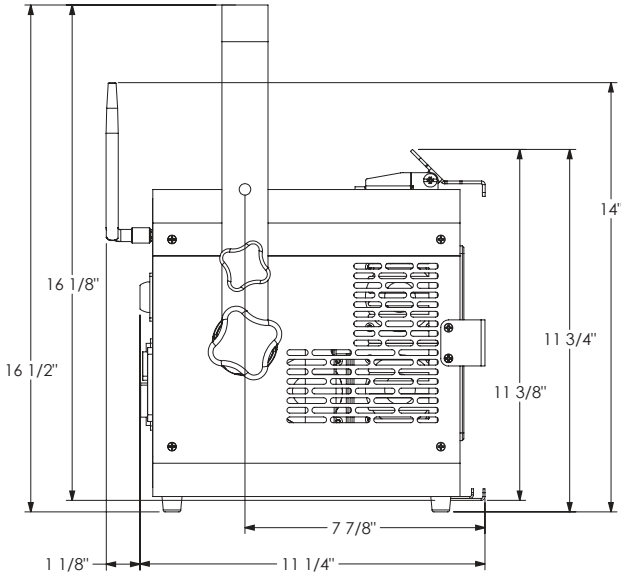
**BEAM ANGLE**



**INTENSITY**

Distance (m)	5		10		15		20	
unit	mW/m <sup>2</sup>	Diameter (m)	mW/m <sup>2</sup>	Diameter (m)	mW/m <sup>2</sup>	Diameter (m)	mW/m <sup>2</sup>	Diameter (m)
365nm UV	2246	3.83	561	7.67	250	11.50	140	15.34

**DRAWINGS**



**PHOTOS**





2908 OREGON CT., STE. G1  
TORRANCE, CA 90503  
UNITED STATES

(800) 937-8065

WILDFIRELIGHTING.COM